

Croma Select E
Croma Select E Vario hand shower
 Surfaces: **white/chrome** Article Number: **26812400**



Description

product features

- shower head size: 110 mm
- convenient diversion via Select button
- spray type: Rain, TurboRain, IntenseRain
- maximum flow rate (at 0.3 MPa): 15 l/min
- with internal water conduction
- rinseable dirt filter
- connection thread G ½
- connection dimension: DN15
- suitable for continuous flow water heaters

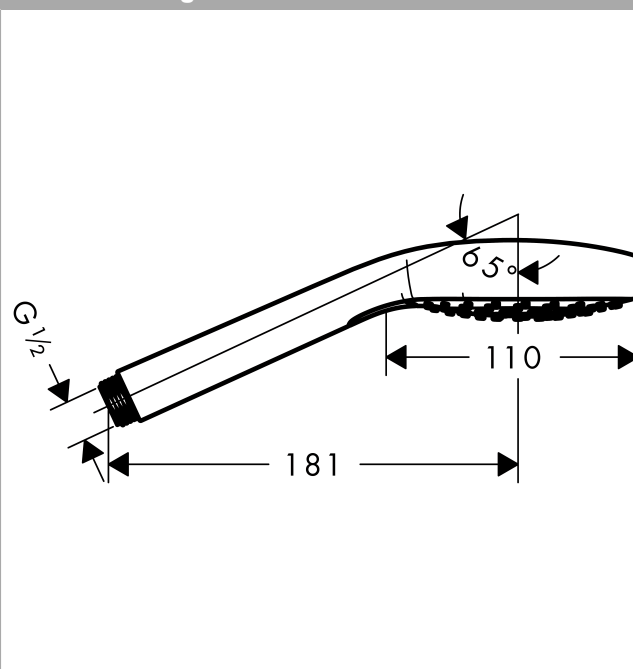
Technology



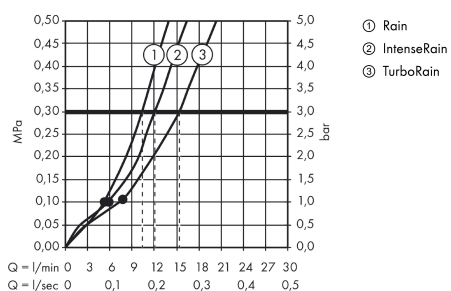
Product image



Scale drawing



Flowchart



The consumption was measured in combination with the appropriate fittings (thermostat/mixer/in-wall valve) to reflect actual application in practice.