

Roca

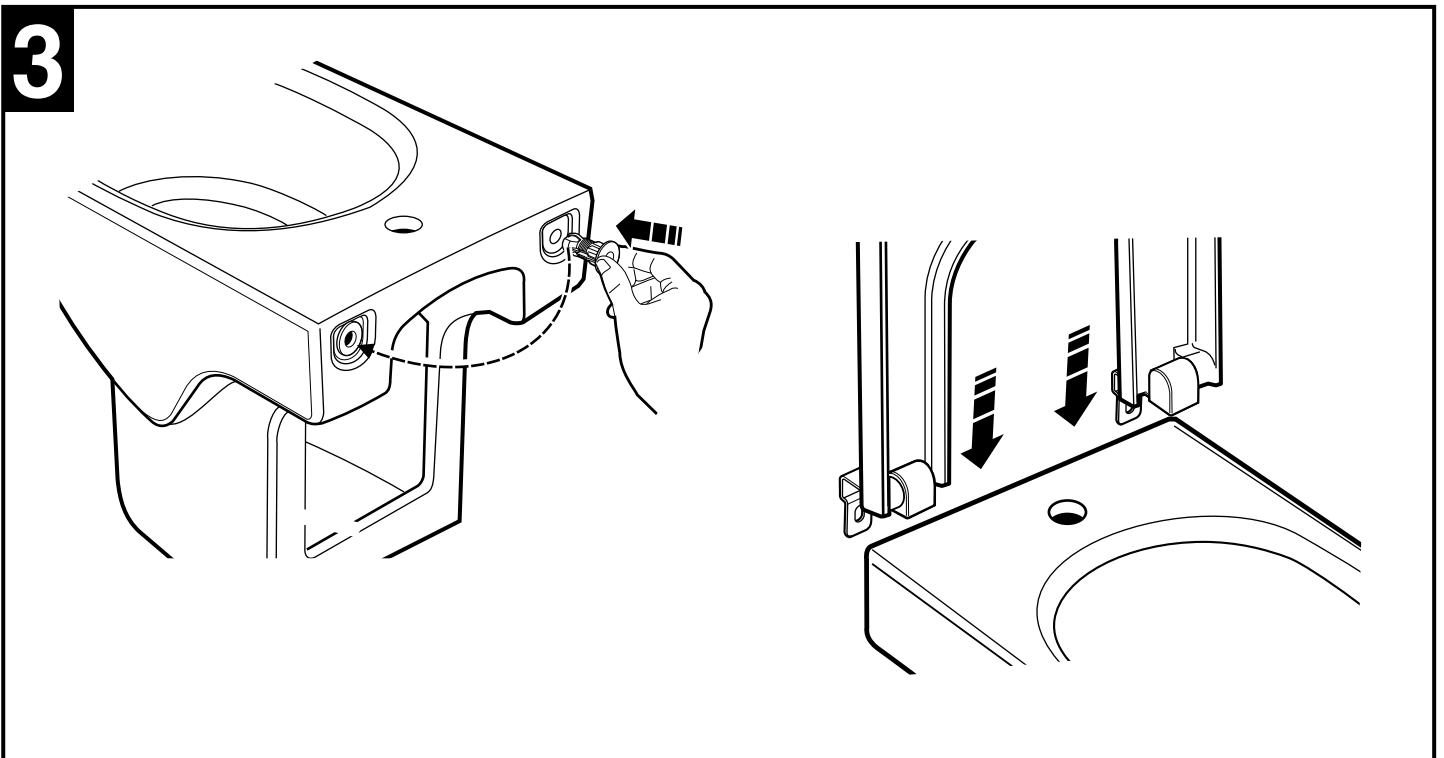
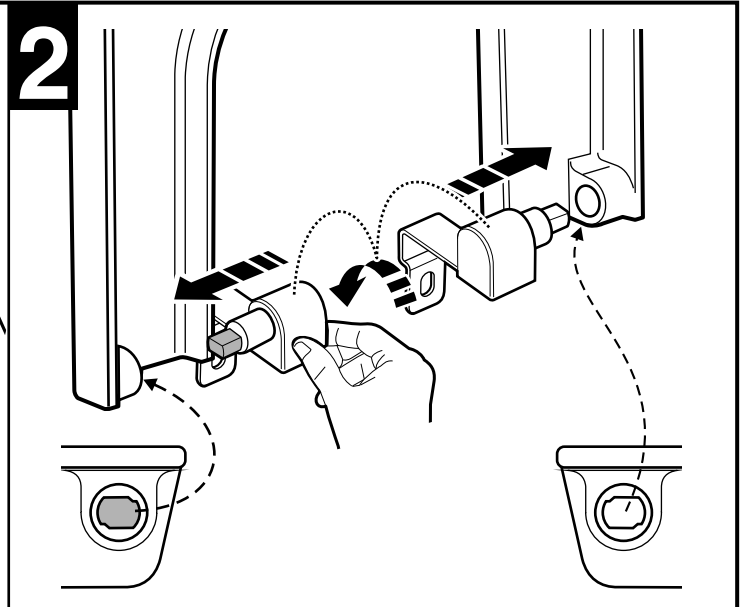
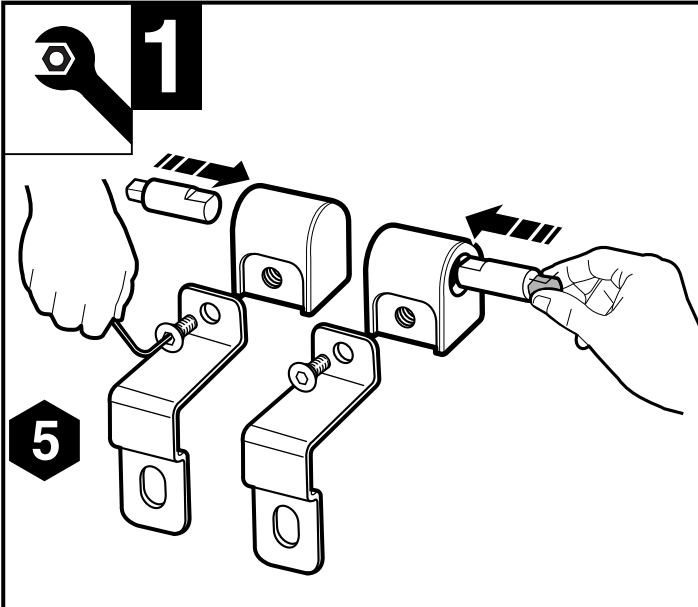
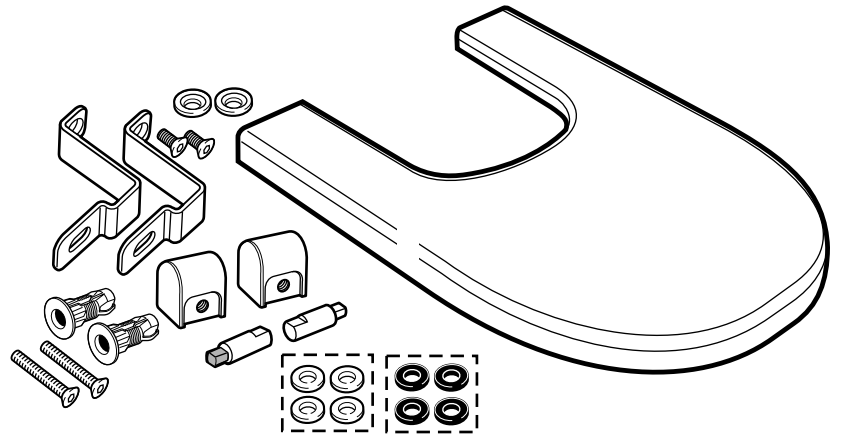
MERIDIAN

8-062A0 STANDARD

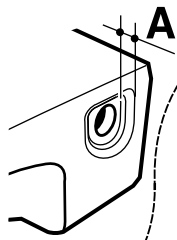
8-062A2 STANDARD

8-062AB COMPACT

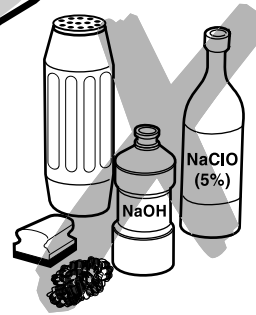
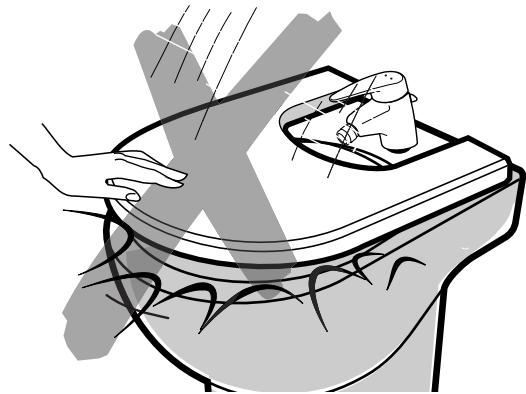
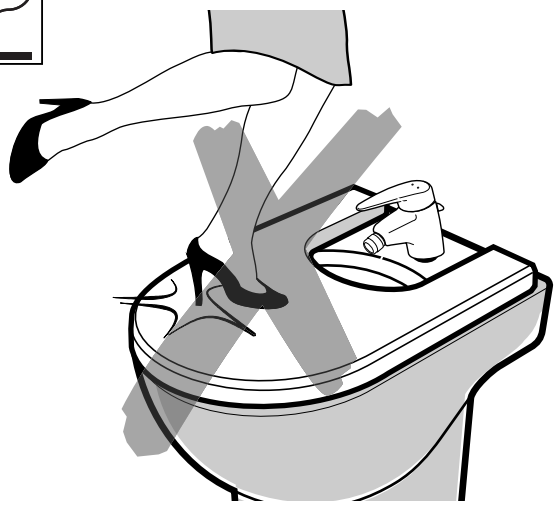
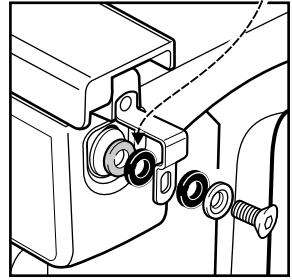
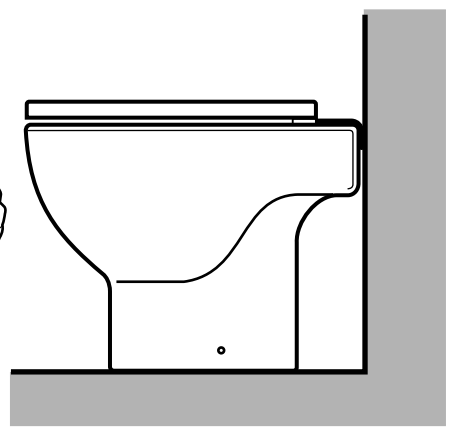
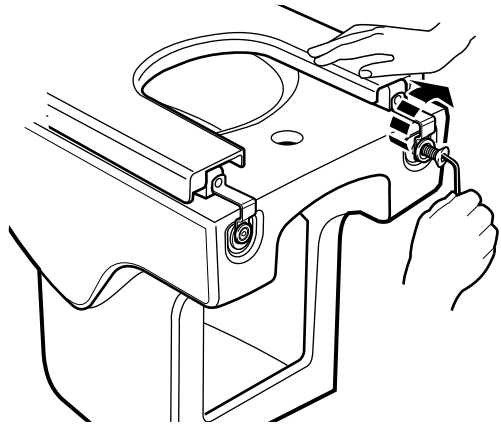
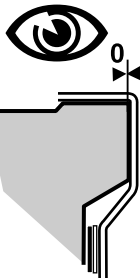
8-062AC COMPACT



4



| | |
|----------|---|
| A | |
| 6-7 | 0 |
| 7-8 | 1 |
| 8-9 | 2 |



Roca Sanitario, S.A.
 Avda. Diagonal, 513
 08029 Barcelona - SPAIN
 Teléfono 93 366 1200
 Fax 93 419 4501
 www.roca.es



8-02813840b